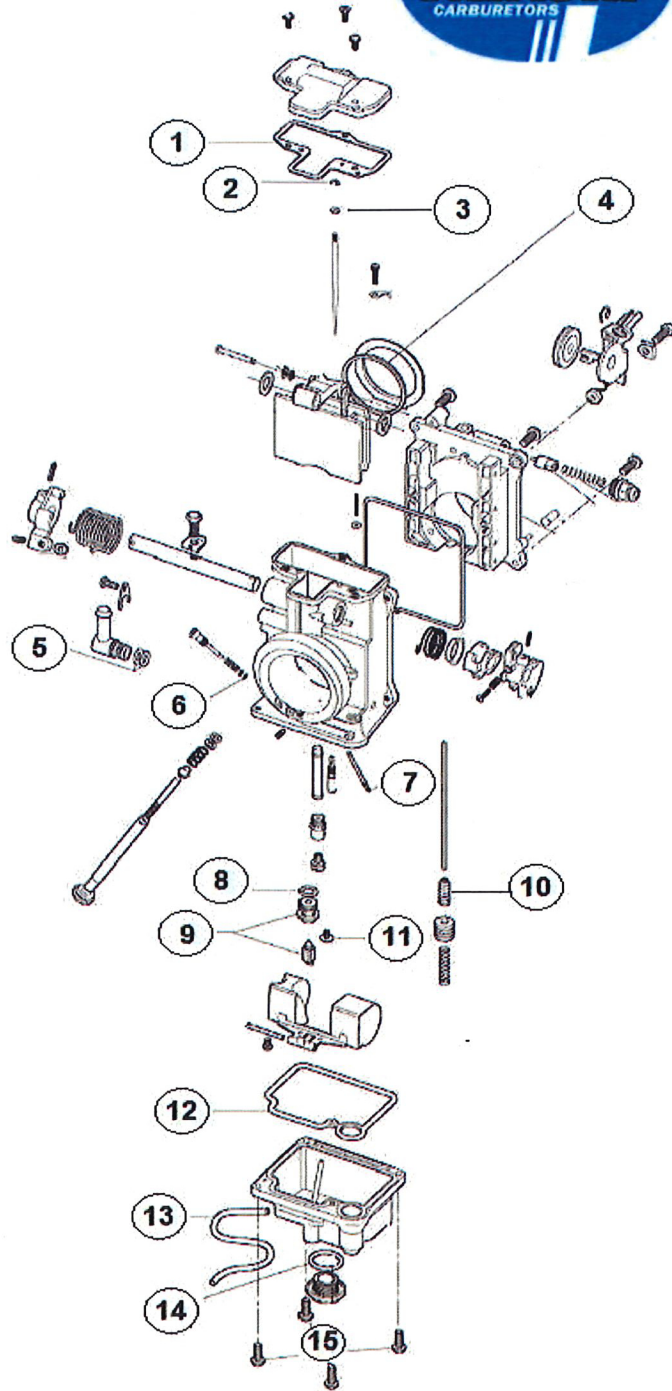


ITEM	QTY	DESCRIPTION
1	1	GASKET, TOP COVER
2	1	E-RING, JET NEEDLE
3	1	WASHER, JET NEEDLE
4	1	SEAL, THROTTLE VALVE
5	2	O-RING, FUEL JOINT
6	1	O-RING, AIR SCREW
7	1	O-RING, A/P
8	1	O-RING, N/V
9	1	NEEDLE VALVE 4.2
10	1	BOOT, A/P ROD
11	1	SCREW, N/V
12	1	PACKING, FLOAT BOWL
13	1	HOSE, VENT
14	1	O-RING, DRAIN PLUG
15	4	SCREWS, FLOAT BOWL

KHS-016
MIKUNI HSR42/45



**FOR ADDITIONAL PARTS AND
PARTS DESCRIPTIONS, PLEASE
VIEW THE COMPLETE PRODUCT
CATALOG AT:
WWW.MIKUNI POWER.COM**

MIKUNI AMERICAN CORPORATION

www.mikunipower.com

HEAD OFFICE: 8910 MIKUNI AVENUE
NORTHRIDGE, CALIFORNIA 91324-3496
PHONES: (818) 885-1242
FAX: (818) 993-7387/8